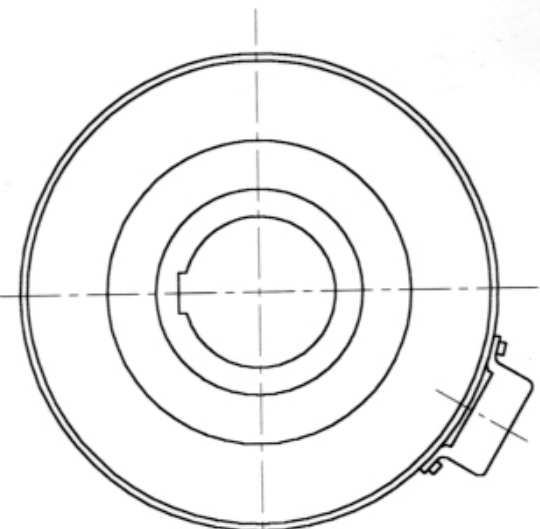
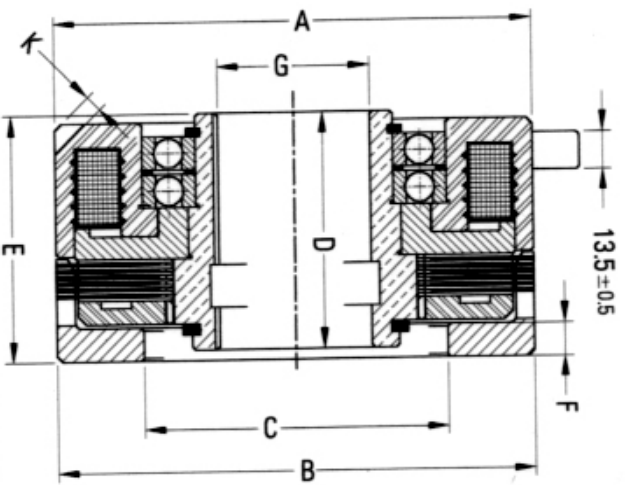
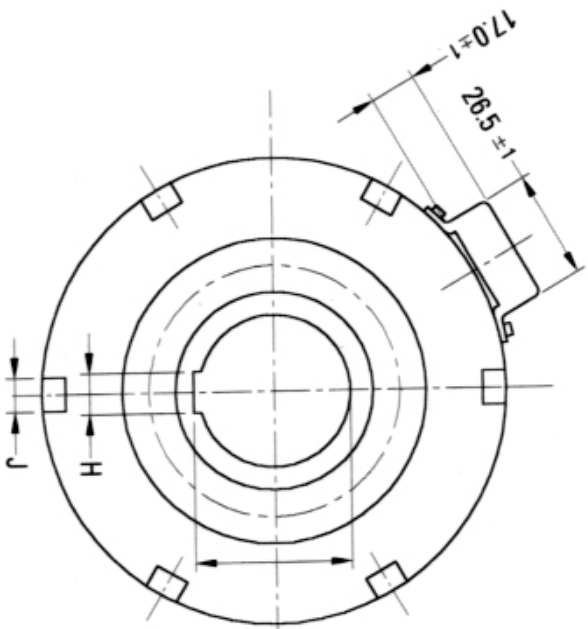


SY SERIES



SR NO.	MODEL NO.	TORQUE		OVERALL DIMENSIONS (MM)													NO. OF PLATES			COIL RESISTANCE at 25°c (Ω ohms)	POWER at 25°c (Watt)	VOLTAGE (VOLTS)
		IN (kg-m)	DYN.	A	B	C	D	E	F	G	H	I	J	K	l	O	A/G					
1	02SYA	4	2.5	95	95	60	52	58	5	25	8	8	28.3	6	3	5	4	1.0	15	37	24 V	
2	06SYA	10	5	114	114	70	57	64.5	6	30	8	8	31.9	6	4	6	5	1.4	14	42		
3	10SYA	20	10	134	134	80	60	70	8	40	12	12	42.5	8	5	6	5	2.0	9.5	63		
4	15SYA	25	15	147	147	100	65	72	6	30	8	8	33.3	8	5	6	5	2.2	10	53		
5	20SYB	40	20	157	157	100	67	81	9	50	14	14	52.5	8	6	6	5	2.5	9	60		
6	20SYA	40	25	165	165	100	67	76	8	35	8	8	38	8	6	6	5	2.5	7	85		
7	30SYA	50	30	165	165	90	82	90	8	50	14	14	54	8	6	7	6	3.0	6	98		
8	40SYA	80	40	195	195	102	85	94	12	60	18	18	63	10	8	6	5	3.5	7	89		

NOTE : ALSO AVAILABLE WITH DIFFERENT BORE DIMENSIONS AS PER CUSTOMER REQUIREMENTS.
ALSO AVAILABLE WITHCONNECTING WIRE LEADS.