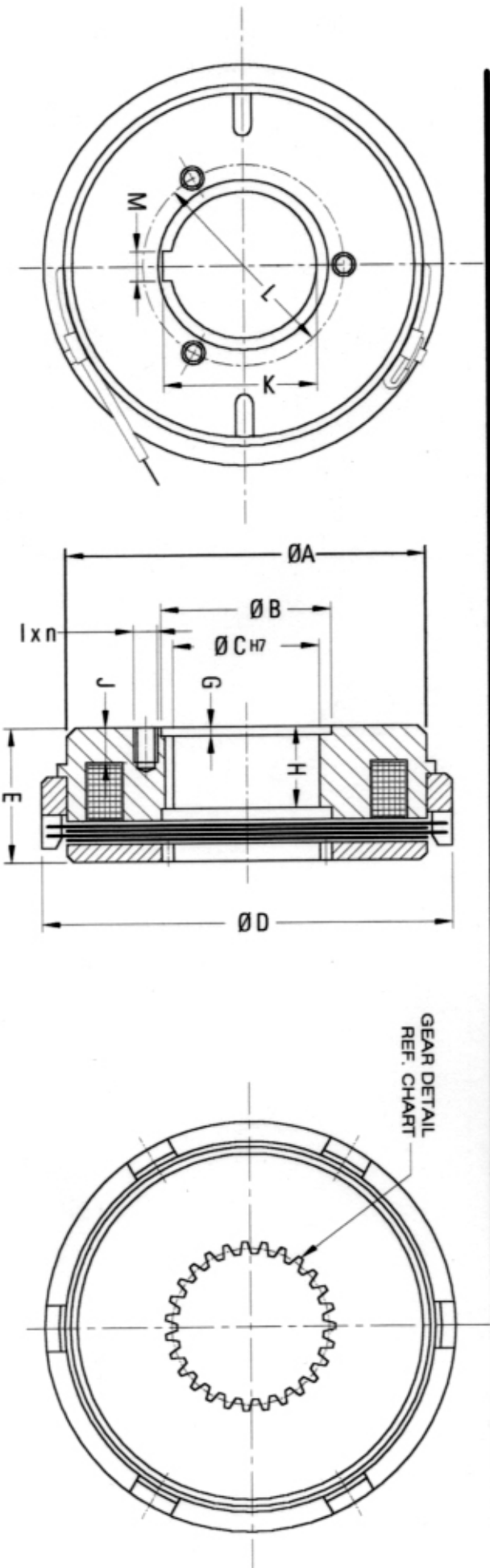


RZ SERIES



SR NO.	MODEL NO.	TORQUE		OVERALL DIMENSIONS (MM)												GEAR DATA		NO. OF PLATES		COIL RESISTANCE at 25°c (Ω ohms)	POWER at 25°c (Watt)	VOLTAGE (VOLTS)				
		IN (kg-m)	DYN.	A	B	C	D	E	G	H	I x n	J	K	L	M x n	No. of teeth	Mod. P/A	I	O				A/G			
1	0.5RZA	0.7	0.5	67	27	25	70	23	1.5	14	M4	3	6	26.5	32	6	1	15	1.5	20°	2	2	0.7	55	10	24 V
2	01RZA	2	1	78	36	34	80	29.5	1.5	16.5	M4	3	10	35.7	41	6	1	20	1.5	20°	4	4	1.2	39	15	
3	05RZA	10	5	95	52	32	114	46	2	26	M6	4	12	34.2	60	10	1	27	1.75	20°	5	5	1.8	26	22	
4	20RZA	40	20	120	80	40	166	58.5	2.5	30	M10	5	15	45.4	92	16	2	27	2.5	20°	5	5	2.5	14	41	
5	40RZA	70	20	142	90	45	195	68.5	3	33.5	M10	5	18	51.2	110	14	4	33	2.5	20°	6	6	3.5	9.8	59	
6	60RZB	110	60	170	100	50	210	73.5	3	35	M10	5	20	56.2	120	14	4	36	2.5	20°	6	6	4.0	7.3	79	
7	80RZA	180	100	184	110	75	240	77	3	37	M12	5	20	79.1	136	20	4	42	2.5	20°	6	6	5.0	6.5	88	
8	120RZA	240	130	216	123	85	258	80	3	35	M12	5	20	89.1	160	22	4	54	2.5	20°	8	8	4.0	4.6	130	

NOTE : AVAILABLE ON REQUEST, 160RZA & 320RZA.