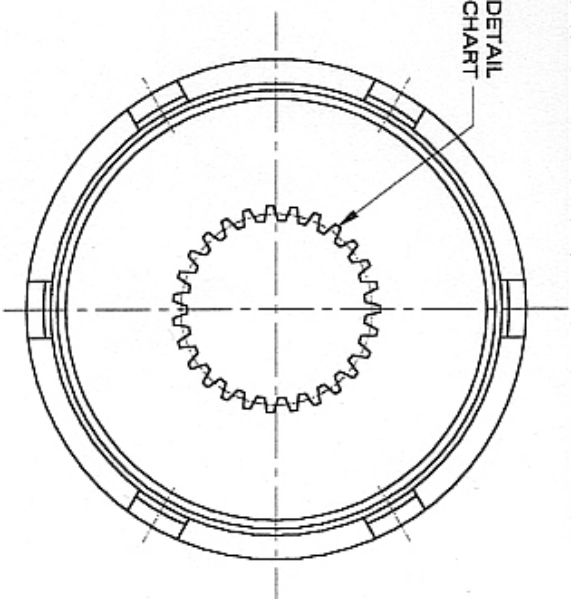
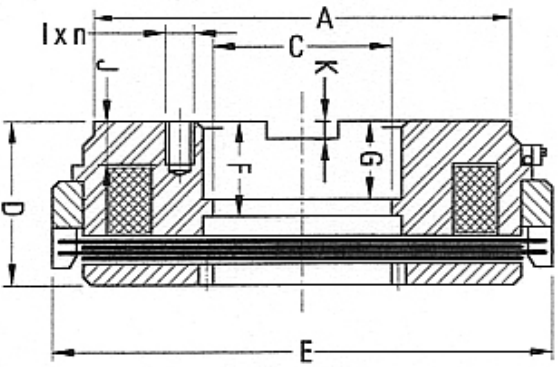
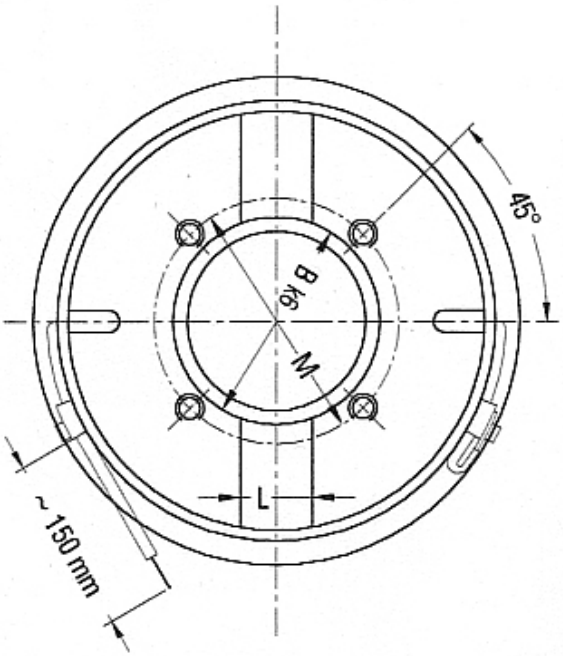


# PZ SERIES



SR NO.	MODEL NO.	TORQUE		OVERALL DIMENSIONS (MM)													GEAR DATA			NO. OF PLATES		COIL RESISTANCE at 25° c (Ω ohms)	POWER at 25° c (Watt)	VOLTAGE (VOLTS)		
		IN (kg-m)	DYN.	A	B	C	D	E	F	G	H	I x n	J	K	L	M	No. of teeth	Mod.	P/A	I	O				A/G	
1	01PZA	2	1	67	35	31	31	80	19	17	7.5	M5	4	5	2.5	12	50	20	1.5	20°	4	4	1.0	39	15	24 V
2	02PZA	5	2	78	42	37	38	93	22	20	7.5	M6	4	5	2.5	12	56	27	1.5	20°	4	4	1.2	32	18	
3	05PZA	10	5.5	85	55	45	49.5	114	27	22	11	M8	4	7	5	14	75	27	1.75	20°	5	5	1.8	28	22	
4	10PZA	20	10	120	68	60	55	140	29	22	11	M8	4	8	5	18	90	31	2.0	20°	5	5	2.0	21	27	
5	20PZA	40	20	142	75	65	58.5	166	30	25	13	M10	4	10	6	20	100	27	2.5	20°	5	5	2.5	14	41	
6	40PZA	80	40	170	90	80	69	185	34	28	13	M10	4	12	6	20	116	33	2.5	20°	6	6	3.5	9.8	69	
7	60PZA	110	60	184	100	90	77.5	210	39	31	14.5	M12	4	16	6	20	130	36	2.5	20°	6	6	4.0	7.3	79	
8	80PZA	180	100	216	110	100	80	240	40	32	14.5	M12	4	18	6	25	145	42	2.5	20°	6	6	5.0	6.5	89	

NOTE : AVAILABLE ON REQUEST, 120PZA, 160PZA, 180PZA & 320PZA.