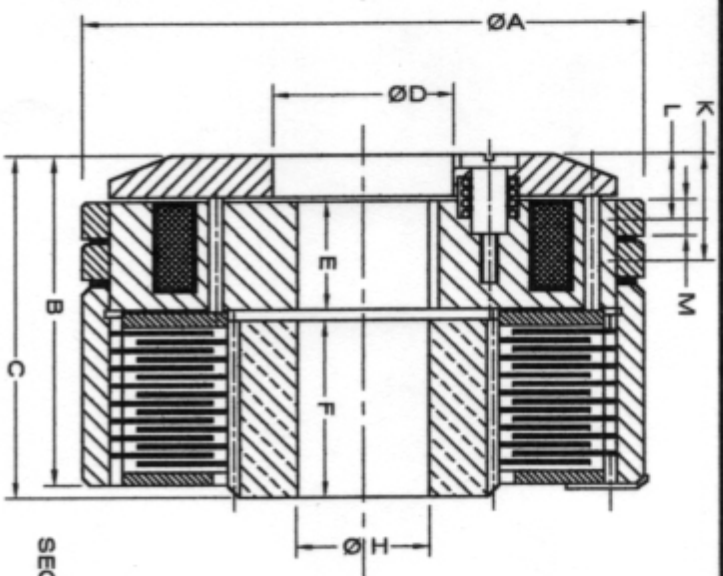
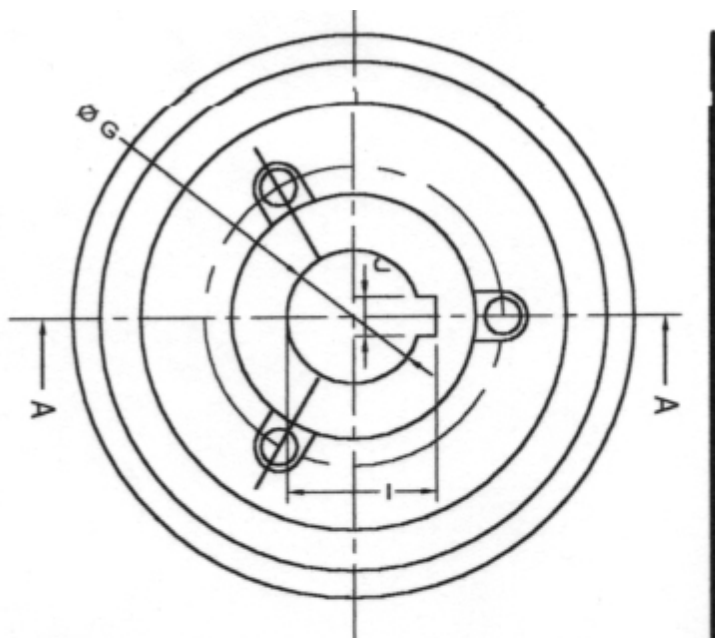
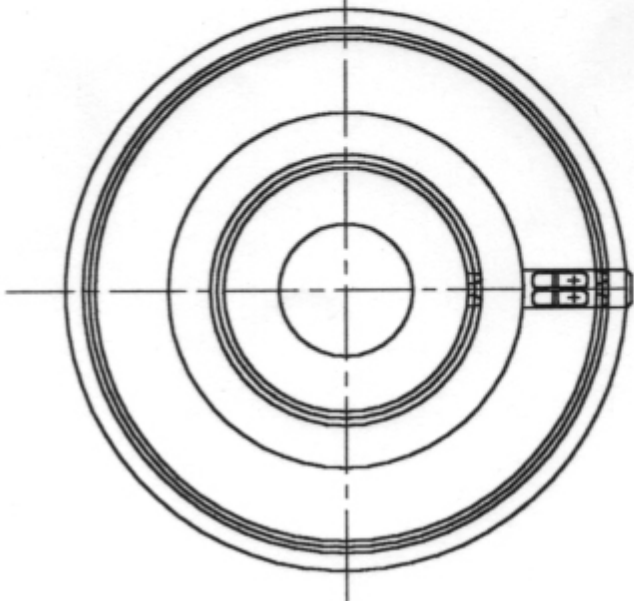


LZ SERIES



SECTION - 'AA'



SR NO.	MODEL NO.	TORQUE IN (kg-m)	OVERALL DIMENSIONS (MM)													MOUNTING DIM. (mm)						SLIPRING DIM. (mm)			RESISTANCE AT 25°C Ω (ohms)	POWER CONSUMP. AT 25°C (watts)	VOLTAGE (volts)
			A	B	C	D	E	F	G	H	I	J	K	L	M	K	L	M									
1	03 LZA	2.5	95.5	43.2	46.2	43	21.5	14	35	35	37.5	10	20	10.7	7.5	29	20	20	24V								
2	05 LZA	5	116.5	54.5	57.5	57	23.5	21.5	48	48	50.9	14	22.5	12.7	8	26	22										
3	10 LZA	10	140.5	64.5	67.5	66	24	28.5	56	56	59.4	16	24.3	14	8.5	17	31										
4	20 LZA	20	166.5	70.3	73.3	78	26	31	66	66	69.8	20	27.5	16.8	8.5	11	55										
5	40 LZA	40	210.5	80.5	83.5	93	31	33	80	80	--	--	33.2	20.6	10	8	75										
6	80 LZA	80	240.5	102	106	109	41	39	95	95	--	--	40.2	23	10	6	110										
7	160 LZA	160	295.5	110	113	125	41	44.5	110	110	--	--	43.5	25.5	12	4	160										

NOTE : ALSO AVAILABLE IN STEEL - ORGANIC LINING Combination (LZA - T series) for dry applications
 ALSO AVAILABLE IN STEEL - SINTERED BRONZE Combination (LZA - S series) for wet applications