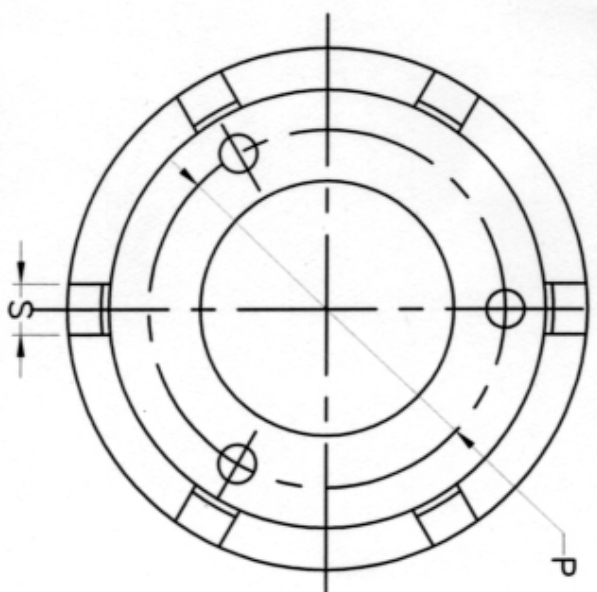
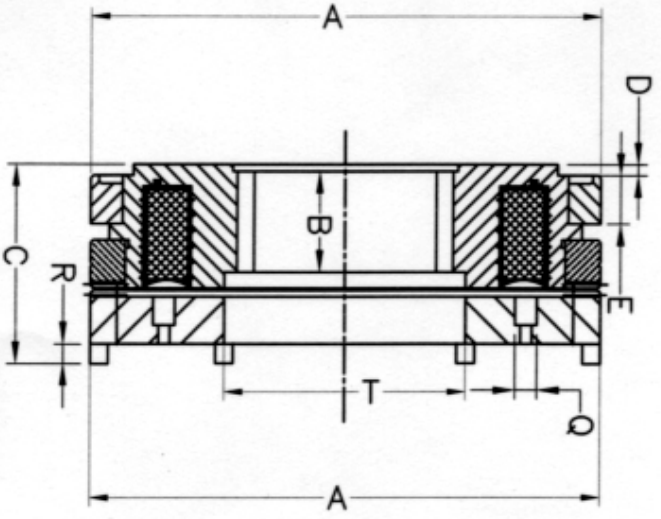
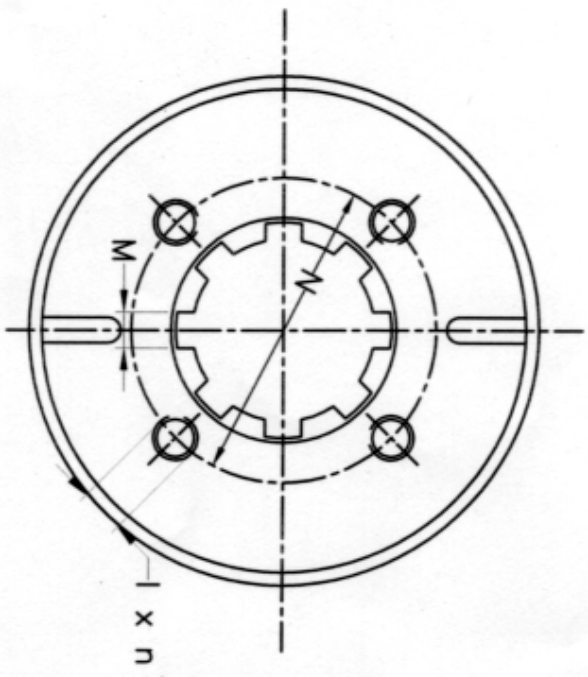




# FX SERIES



SR NO.	MODEL NO.	TORQUE IN (kg-m)	OVERALL DIMENSIONS					SPLINE / KEY (mm)	DRIVE END DIMENSIONS(mm)		DRIVE END DIMENSIONS(mm)					AIR GAP (mm)	COIL RESISTANCE at 25°C (ohms)	POWER CONSUMP. at 25°C (WATTS)	VOLTAGE (VOLTS)		
			A	B	C	D	E		F	NO. OF HOLES	SIZE	P	Q	T	R					S	
1	01FXB	10	82	23	37	2	8	34 x 36 x 6.3	41	3	M4	55	9	6	8	8	35	0.5	34	17	24 v
2	02FXB	20	95	20	38	1.5	8	40 x 36 x 7.8	50	4	M6	65	9	6	8	8	45	0.7	24	24	
3	05FXB	35	114	23	43	1.5	10	50 x 46 x 9.8	60	4	M6	80	9	6	8	8	53	0.7	14	42	
4	10FXB	60	140	26	51	2	10	68 x 62 x 10.8	80	4	M6	100	12	10	10	10	70	0.7	12	49	
5	20FXB	120	166	30	60	2	10	78 x 72 x 12.10	92	5	M10	120	12	12	12	12	80	0.7	8.3	69	
6	40FXB	220	195	33.5	63	2	10	88 x 82 x 14.10	110	5	M10	150	15	15	15	15	89	0.7	7.4	77	

NOTE : ALSO AVAILABLE WITH GEAR ADAPTER PLATES AND GEARED DRIVEN END (FXA Series)  
 ALSO AVAILABLE 60FXA, 80FXA AND 120FXA ON REQUEST  
 ALSO AVAILABLE SPECIAL BACKLASH FREE VERSIONS ON REQUEST