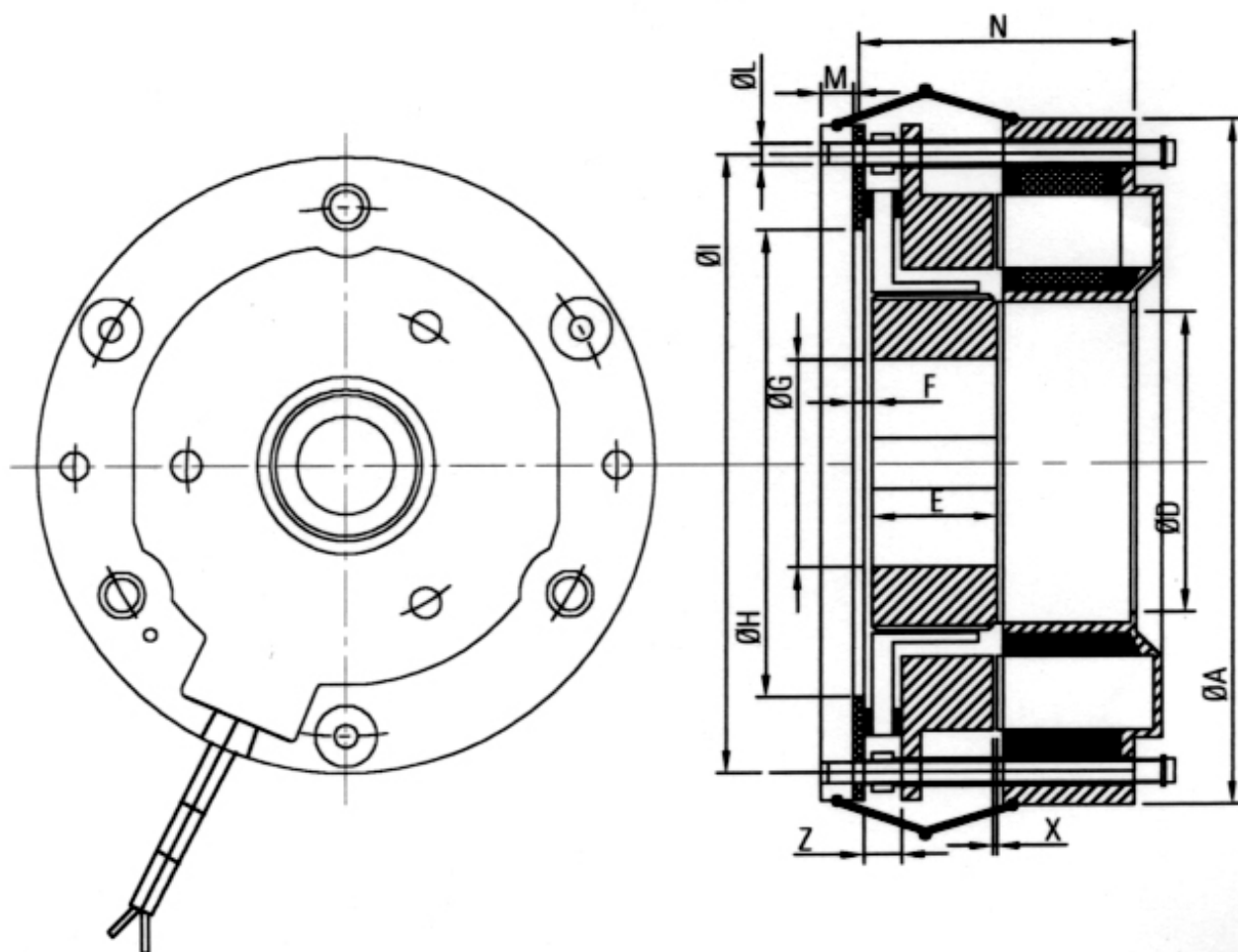




VORTEX

FMA SERIES



SIZE	075	088	100	120	140	155	170	206
Torque-Nm	4	8	18	30	45	65	110	200
A	90	104	120	162	162	180	196	245
E	18	20	20	30	30	35	35	40
F	2/2.5	3/3.5	3.5/4	4/4.5	4/4.5	3/3.5	6.5/7	7.5/8
H	38	48	50	65	80	90	100	120
I	75	88	100	120	140	155	170	206
L	3xM5	3xM5	3xM6	6xM6	6xM68	6xM8	6xM8	6xM10
M	10	10	12	12	16	16	16	20
N	53	60	68.5	75.5	85	90	97.5	116
X	0.15/0.2	0.15/0.2	0.2/0.25	0.25/0.3	0.3/0.35	0.3/0.35	0.3/0.35	0.3/0.4
Z	5.5	6	7.5	8.5	9.5	9.5	11	13
ØG(H7)	15	18	22	28	28	40	35	42
NUT SLOT	5x1.3	6x1.7	6x1.7	8x1.7	8x1.7	12x2.1	10x2.1	12x2.1
ØG Max.	15	20	25	30	32	40	42	55
β	22°30'	22°30'	22°30'	30°	30°	30°	30°	30°
l	350	400	550	550	550	550	690	820