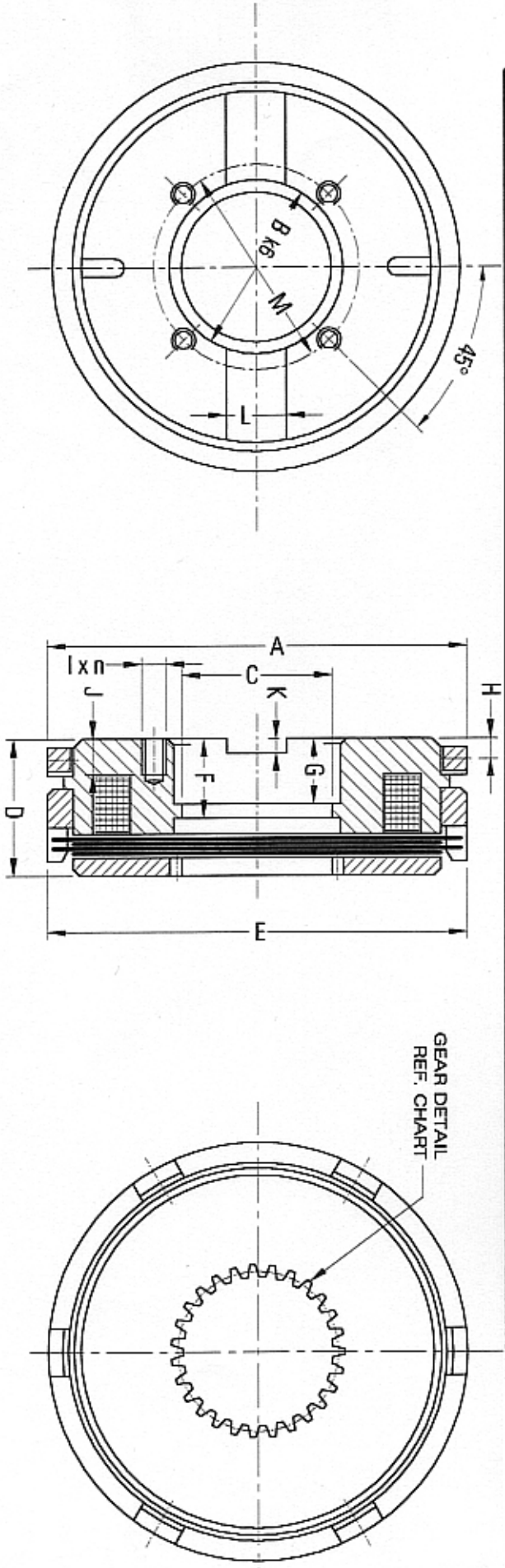


CZ SERIES



SR NO.	MODEL NO.	TORQUE		OVERALL DIMENSIONS (MM)																GEAR DATA			NO. OF PLATES			COIL RESISTANCE at 25° c (Ω ohms)	POWER at 25° c (Watt)	VOLTAGE (VOLTS)
		IN (kg-m)	DYN.	A	B	C	D	E	F	G	H	I x n	J	K	L	M	No. of teeth	Mod.	PA	I	O	A/G						
1	01CZA	2	1	82	35	31	31	80	19	17	7.5	M5	4	5	2.5	12	50	20	1.5	20°	4	4	1.2	32	15	24 V		
2	02CZA	5	2	95	42	37	38	93	22	20	7.5	M6	4	5	2.5	12	56	27	1.5	20°	4	4	1.2	32	18			
3	05CZA	10	5.5	114	55	45	49.5	114	27	22	11	M8	4	7	5	14	75	27	1.75	20°	5	5	1.8	26	22			
4	10CZA	20	10	140	68	60	55	140	29	22	11	M8	4	8	5	16	90	31	2.0	20°	5	5	2.0	21	27			
5	20CZA	40	20	166	75	65	58.5	166	30	25	13	M10	4	10	6	20	100	27	2.5	20°	5	5	2.5	14	41			
6	40CZB	80	40	195	90	80	69	195	34	28	13	M10	4	12	6	20	116	33	2.5	20°	6	6	3.5	9.8	59			
7	60CZA	110	60	210	100	90	77.5	210	39	31	14.5	M12	4	16	6	20	130	36	2.5	20°	6	6	4.0	7.3	79			
8	80CZA	180	100	240	110	100	80	240	40	32	14.5	M12	4	18	6	25	145	42	2.5	20°	6	6	5.0	6.5	89			

NOTE : AVAILABLE ON REQUEST, 120CZA, 160CZA & 320CZA.