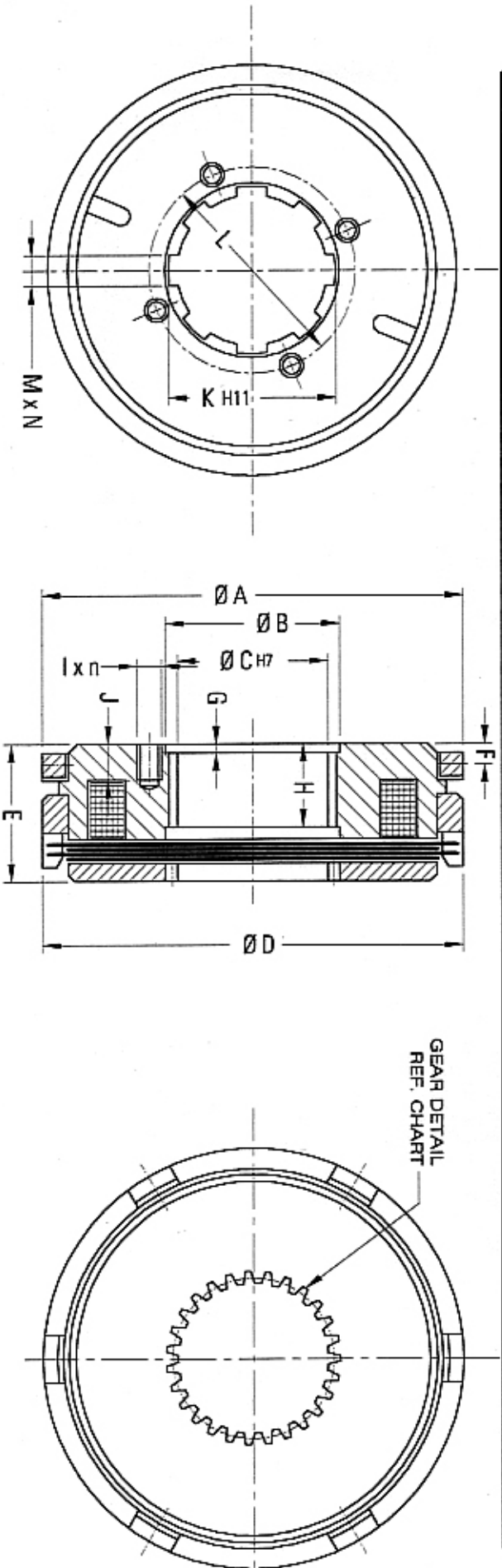


BZ SERIES



SR NO.	MODEL NO.	TORQUE		OVERALL DIMENSIONS (MM)														GEAR DATA			NO. OF PLATES			COIL RESISTANCE at 25°c (Ω ohms)	POWER at 25°c (Watt)	VOLTAGE (VOLTS)	
		IN (kg-m)	DYN.	A	B	C	D	E	F	G	H	I x n	J	K	L	M x N	No. of teeth	Mod.	P/A	I	O	A/G					
1	02BZH	3.6	2	92	37	32	90	32	5.5	1.5	18	M6	4	10	36	45	6	8	22	1.5	20°	4	4	1.8	34	17	24 V
2	02BZA	5	2	95	42	36	93	36	5.5	1.5	20	M6	4	10	40	50	7	8	27	1.5	20°	4	4	1.2	32	18	
3	05BZA	10	5.5	114	52	46	114	45.5	7	2	23	M6	4	12	50	60	9	8	27	1.75	20°	5	5	1.8	26	22	
4	10BZA	20	10	140	70	52	140	52	7	2	26	M8	4	15	58	72	10	8	28	2.0	20°	5	5	2.0	20	29	
5	20BZA	40	20	166	80	72	166	58.5	7	2.5	30	M10	5	15	78	92	12	10	27	2.5	20°	5	5	2.5	14	41	
6	40BZB	80	40	195	80	72	195	87	7	3	31	--	--	--	78	80	12	10	25	--	20°	6	6	4.0	10	57	
7	40BZA	80	40	195	90	82	195	68.5	7	3	33.5	M10	5	18	88	110	12	10	33	2.5	20°	6	6	3.5	9.8	59	
8	60BZA	110	60	210	100	92	210	73.5	8.5	3	35	M10	5	20	98	120	14	10	36	2.5	20°	6	6	4.0	7.3	79	

NOTE : AVAILABLE ON REQUEST, 80BZA, 120BZA, 160BZA & 320BZA.